

A 1PC

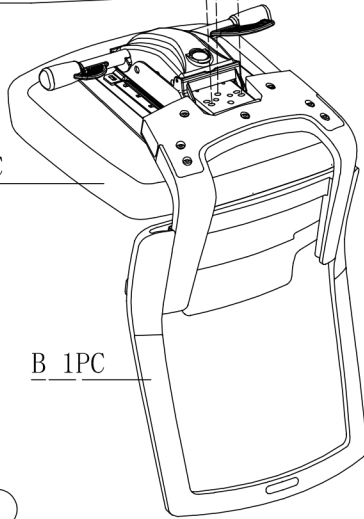


G M8 ϕ 22X1.5 3 PCS



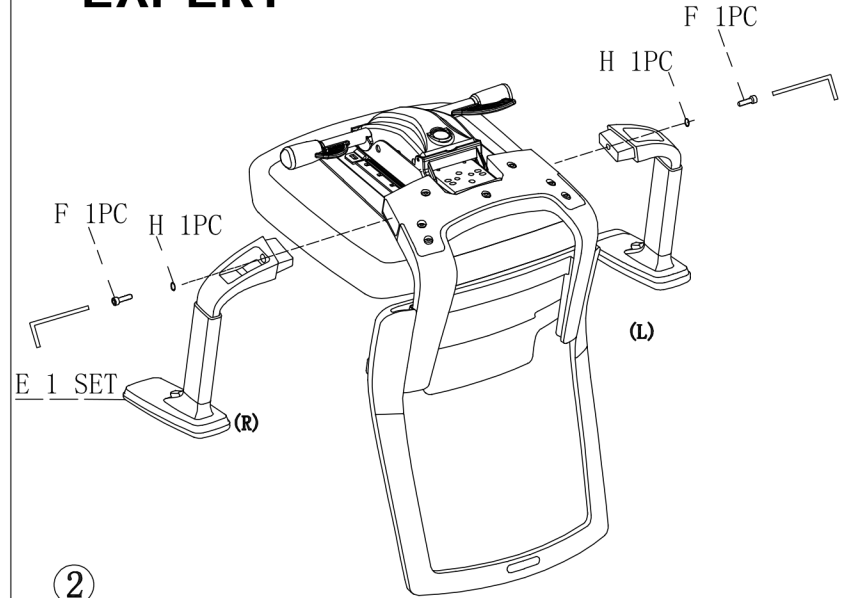
H M8 ϕ 13X2.3 5 PCS

C 1PC
D 3PCS
G 3PCS
H 3PCS

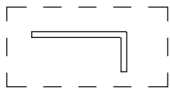


①

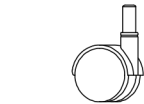
EXPERT



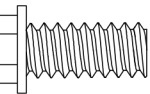
②



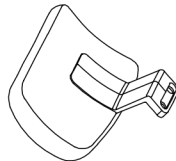
C M5 1PC



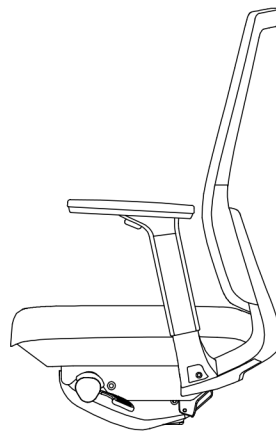
K 5PCS



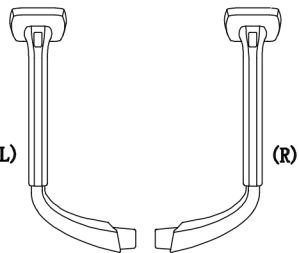
D M8X20 3PCS



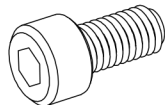
L 1PC



③



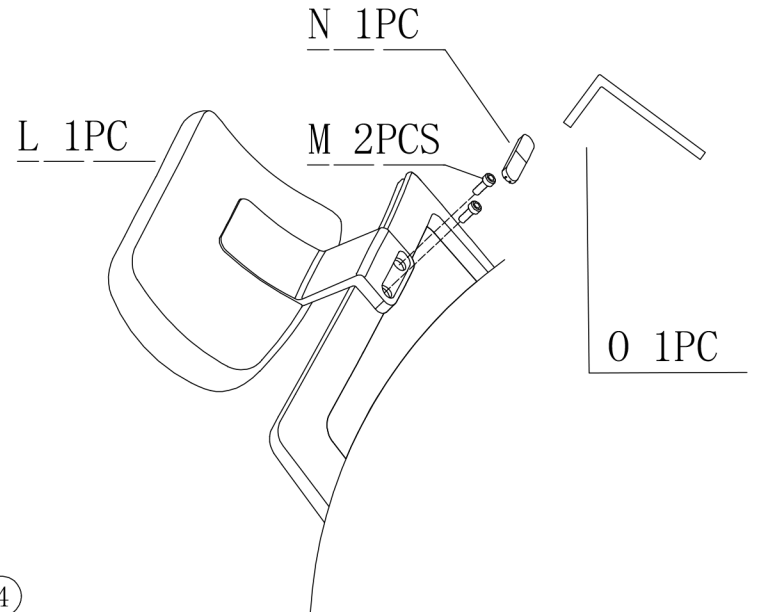
E 1 SET



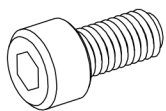
M M6X16 2PCS



N 1PC



④



F M8X60 2PCS



O M4 1PC

I 1PC
J 1PC
K 5PCS